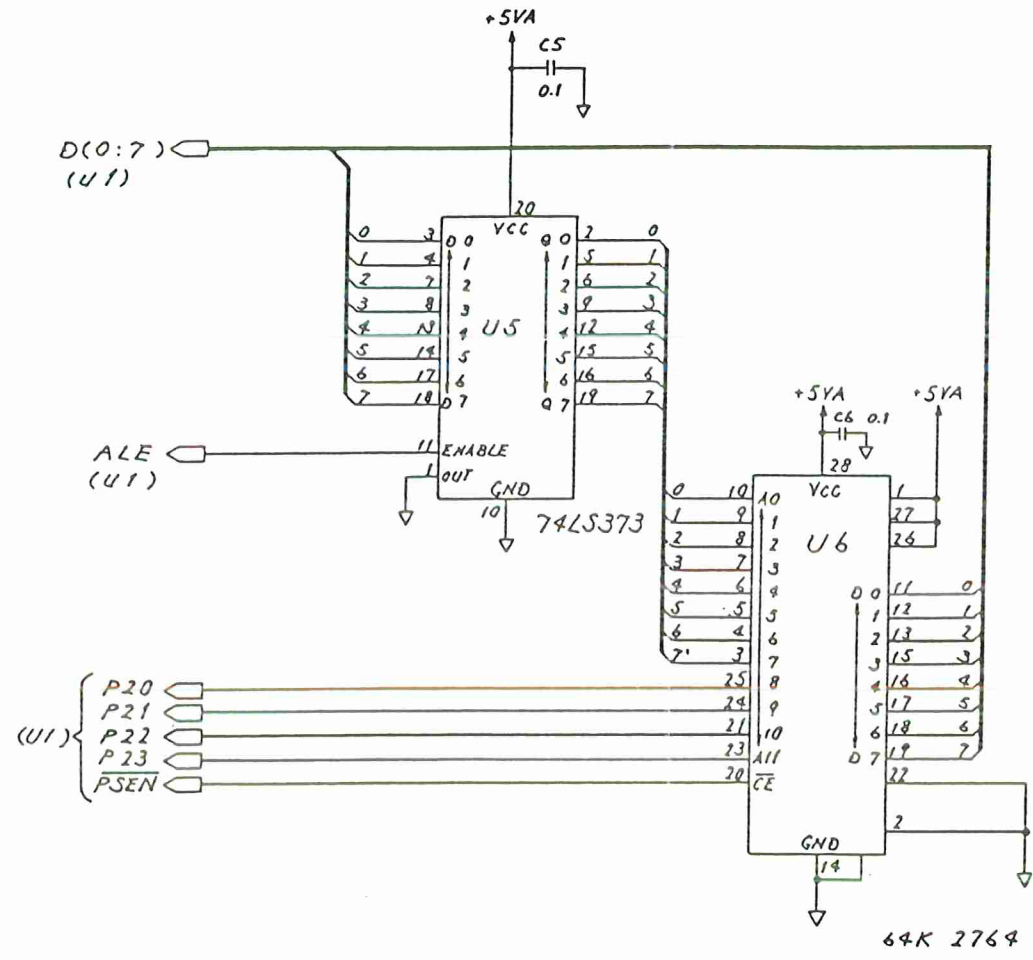
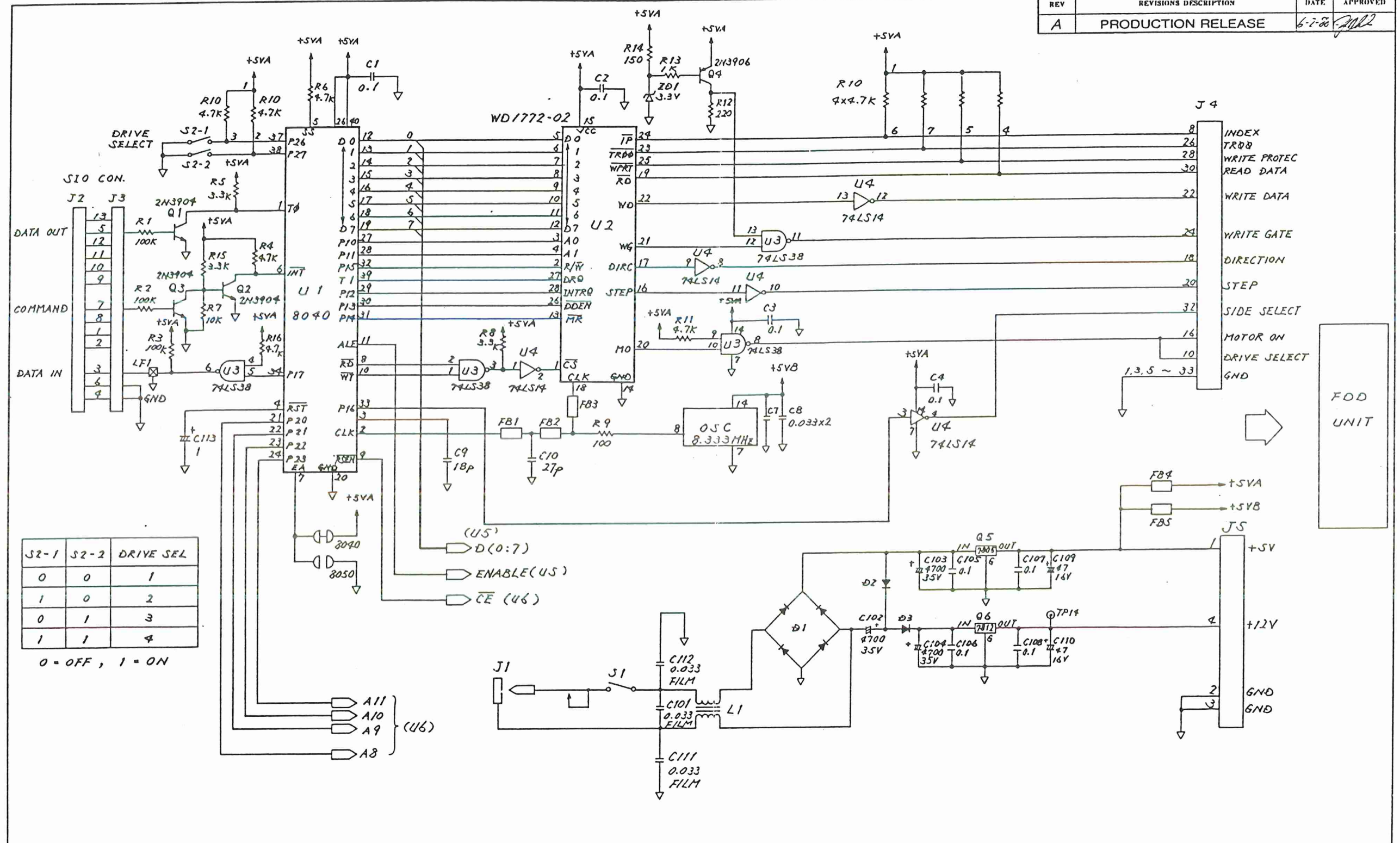


REV	REVISIONS DESCRIPTION	DATE	APPROVED
	SEE SHEET 1.		



USED ON	DRAWN BY S. Yamada 3-25-87	DATE	ATARI (JAPAN) CORPORATION	
NEXT ASSY	CHECKED S. Yamada 10-26-87	DATE	ATARI	
MATERIAL	ENGINEER A. Shingura 10-27-87	DATE	TITLE SCHEMATIC DIAGRAM XF551 (FCC)	
FINISH	APPROVED S. Yamada 11/1/87	DATE	SIZE C	DRAWING NO. C100727
			SCALE NONE	REV A
			SHEET 2 OF 2	

REV	REVISIONS DESCRIPTION	DATE	APPROVED
A	PRODUCTION RELEASE	6-7-86	[Signature]



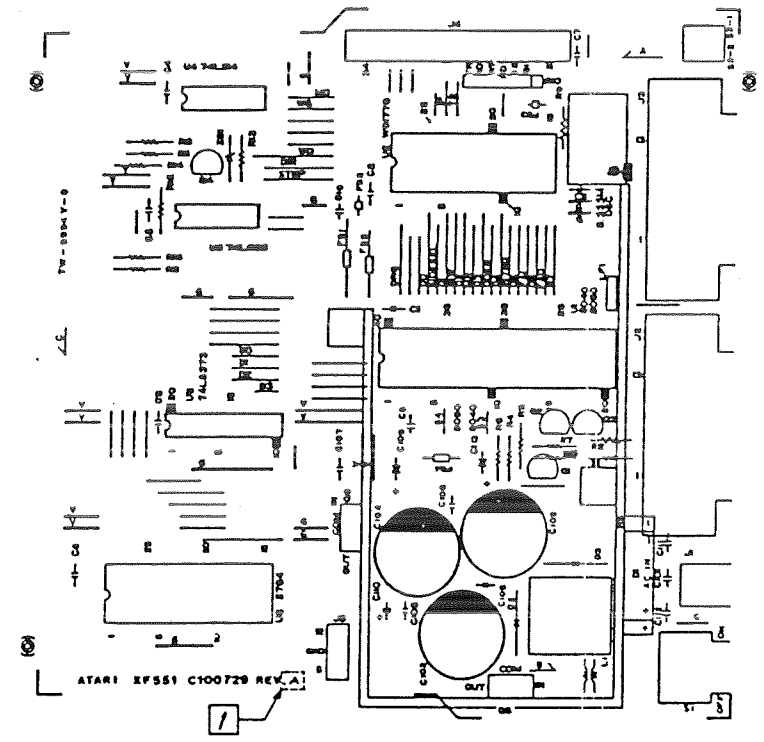
S2-1	S2-2	DRIVE SEL
0	0	1
1	0	2
0	1	3
1	1	4

0 = OFF, 1 = ON

NOTES-UNLESS OTHERWISE SPECIFIED :

USED ON XF551	DRAWN BY M. H. [Signature]	DATE 9-11-87	ATARI (JAPAN) CORPORATION ATARI
NEXT ASSY CA220107-XXX	CHECKED K. K. [Signature]	DATE 10-26-87	
MATERIAL	ENGINEER A. S. [Signature]	DATE 10-27-87	TITLE SCHEMATIC DIAGRAM XF551 (FCC)
FINISH	APPROVED S. O. [Signature]	DATE 11/17	SIZE C
			DRAWING NO. C100727
			SCALE NONE
			SHEET 1 OF 2

REV	REVISIONS (DESCRIPTION)	DATE	APPROVED
	SEE SHEET 1.		



SILK PRINT
COMPONENT SIDE

ARTWORK CONT. NO. 1 10-28-87

NOTES—UNLESS OTHERWISE SPECIFIED:

<table border="1"> <tr> <td>NEXT ASSY</td> <td>USED ON</td> <td>FINISH</td> </tr> <tr> <td colspan="3">APPLICATION</td> </tr> </table>	NEXT ASSY	USED ON	FINISH	APPLICATION			TOLERANCES UNDER 30 ± 0.1 30 THRU 300 ± 0.2 OVER 300 ± 0.4	DRAWN BY <i>N. J. [Signature]</i> 11-2-87 CHECKED DATE ENGINEER <i>K. K. [Signature]</i> 11-9-87 DATE APPROVED <i>A. Shingama</i> 11-4-87 DATE APPROVED <i>I. Okazaki</i> 11-17-87 DATE	ATARI JAPAN CORPORATION TITLE PCB XF551 (FCC) SIZE B DRAWING NO. C100729 SCALE NONE	REV A SHEET 2 OF 5
	NEXT ASSY	USED ON	FINISH							
	APPLICATION									

THIRD ANGLE SYSTEM DIMENSION